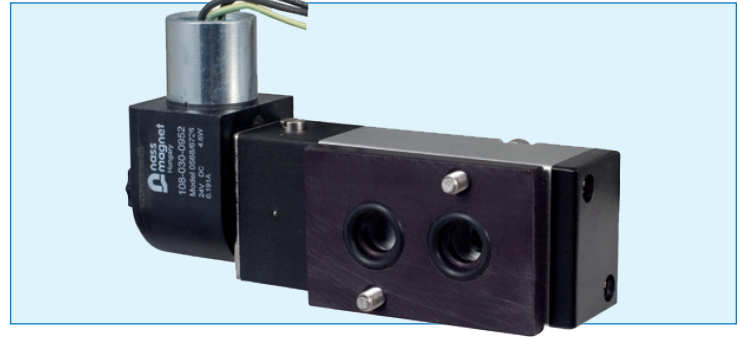


JOB NAME:	CONTRACTOR:
JOB LOCATION:	APPROVAL:
ENGINEER:	CONTRACTOR P.O.:
APPROVAL:	REPRESENTATIVE:



NMR1-EX*

4-WAY EXPLOSION PROOF CONNECTION

- 4-way single solenoid NAMUR valve
- Cv=1.68
- Ports 1/4" NPT
- Duty cycle 100% continuous
- Pressure range 20 to 120 PSIG
- Temperature range 2°C to 60°C (normal)

NMR3-EX*

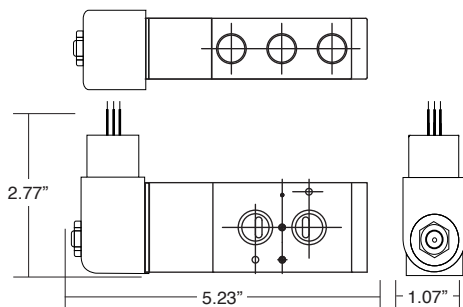
3-WAY EXPLOSION PROOF CONNECTION

- 3-way single solenoid NAMUR valve
- Cv=1.68
- Ports 1/4" NPT
- Duty cycle 100% continuous
- Pressure range 20 to 120 PSIG
- Temperature range 2°C to 60°C (normal)

Model	Voltage	In Rush	Power Consumption
NMR1-EX1	120 VAC	74 mA	4.6w
NMR1-EX2	24 VDC	190 mA	4.6w
NMR1-EX12	12 VDC	372 mA	4.6w
NMR1-EX22	220 VAC	36 mA	4.6w

Model	Voltage	In Rush	Power Consumption
NMR3-EX1	120VAC	74 mA	4.6w
NMR3-EX2	24VDC	190 mA	4.6w
NMR3-EX12	12VDC	372 mA	4.6w
NMR3-EX22	220VAC	36 mA	4.6w

NMR1-EX* DIMENSIONS



CSA APPROVALS

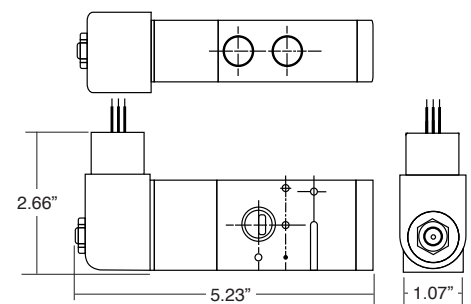


202633 X
CL.I; Zone 1
Ex m II T4
CL.I; Div. 1 & 2; Gr. A, B, C, D
CL.II;
CL.III
T4



APPROVED
AEx m II
Gr.E, F, G
Ta=-20°C...+60°C

NMR3-EX* DIMENSIONS



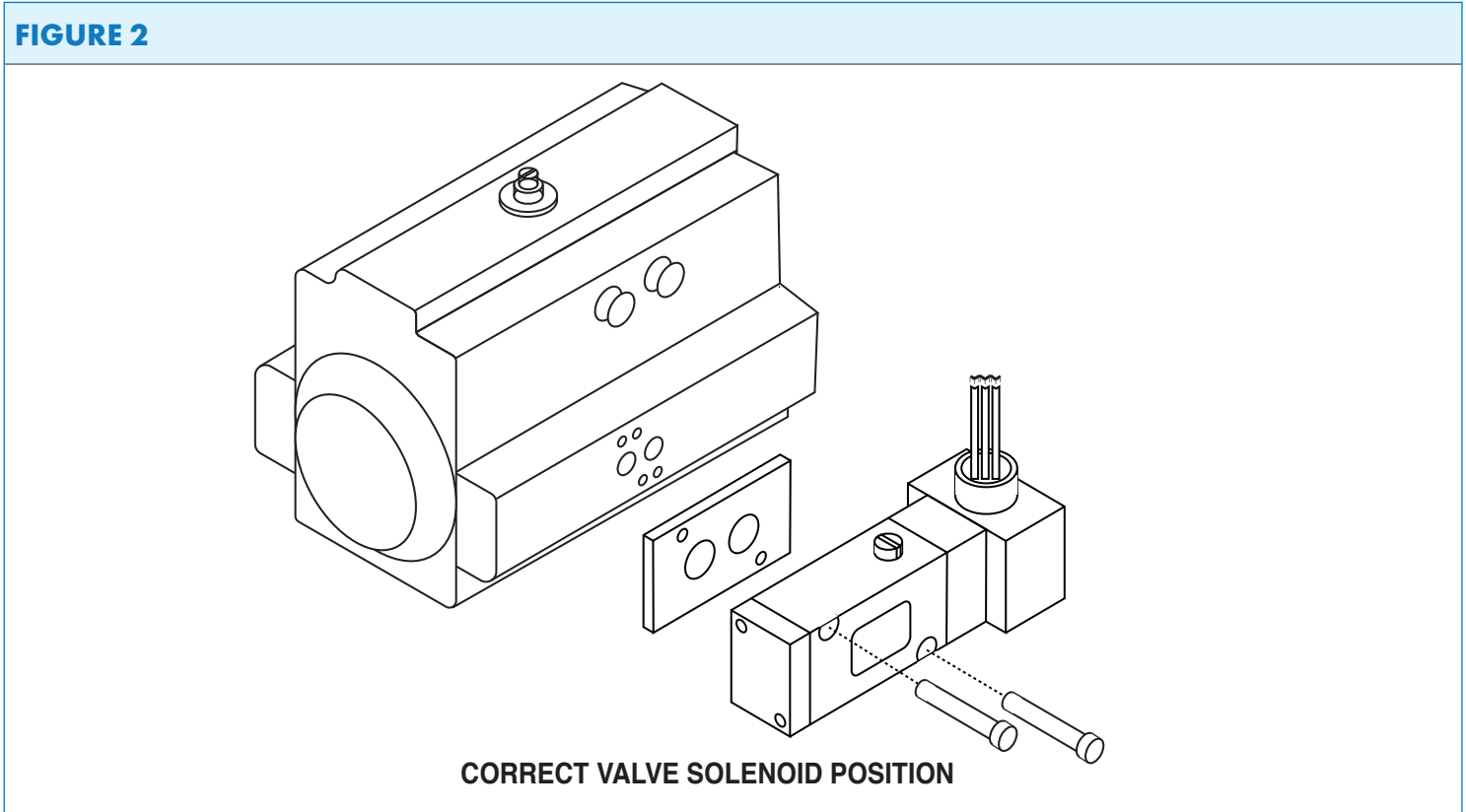
INSTALLATION OF MATERIAL - SERIES NMR1-EX *

This following instructions demonstrate the proper 5/2 4-Way NAMUR Solenoid Valve Installation.

FIGURE 1



FIGURE 2



INSTALLATION OF MATERIAL - SERIES NMR3-EX *

This following instructions demonstrate the proper 3/2 3-Way NAMUR Solenoid Valve Installation.

FIGURE 1



FIGURE 2

